

SUBMITTAL RECORD

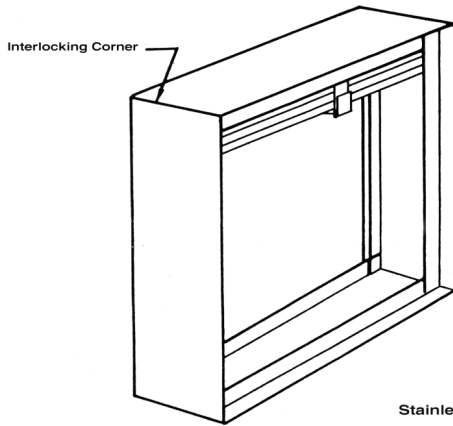
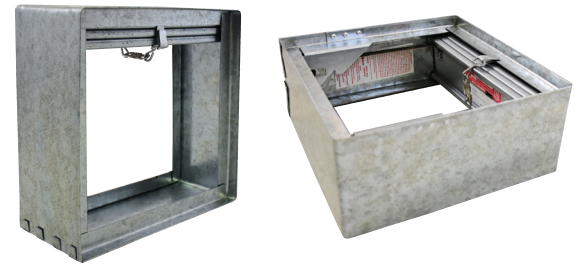
JOB _____
 LOCATION _____
 SUBMITTED TO _____
 SUBMITTAL PREPARED BY _____
 APPROVED BY _____
 DATE _____



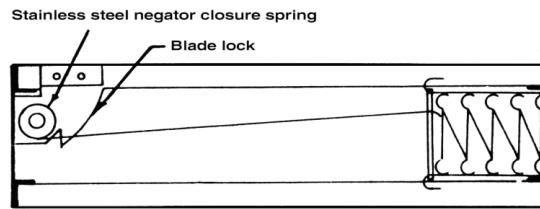
Submittal Form

**UL10A Static
 1-1/2 Hour Fire-Limit
 UL Fire Damper
 Vertical or Horizontal**

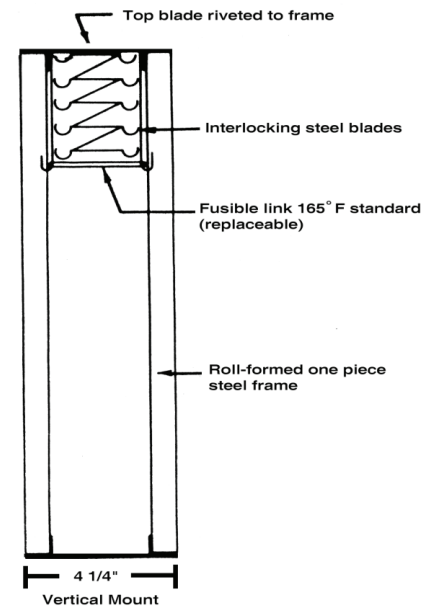
UNDERWRITERS' LABORATORIES INC.
 CLASSIFIED
 FIRE RESISTANCE RATING 1-1/2 HOUR
 No. _____
 See U.L. Classified Building Materials Index



Approved by the Board of
 Standards and Appeals for use
 in New York City
 Cal. 291-80-SA



Horizontal Mount



- Standard construction materials: Galvanized Steel
- Specification for all material per Underwriters' Laboratories Standard for Safety UL555.
- Underwriters' Laboratories: Labeled for use in sizes no larger than shown in U.L. Building Material List in a 2-hour fire partition.
- Meets National Fire Protection Assoc. - NFPA 90A

Damper Mounting Position	Minimum Damper Size (in.)		Single Section Damper Size Maximum (in.)		Multiple Section Damper Size Maximum (in.)	
	Width	Height	Width	Height	Width	Height
Vertical	4	4	60	60	120	120
Horizontal	4	4	34	60	102	60
	4	4	60	60	-	-

SUGGESTED SPECIFICATIONS

Fire Dampers shall be Duro Dyne UL10A Static type dampers. Installation shall be as described in the Duro Dyne Fire Damper instructions. Sizes and locations shall be as indicated on the mechanical drawings.

Duro Dyne National Corporate Headquarters, Bay Shore, NY
 631-249-9000 • Fax: 631-249-8346
 Duro Dyne Midwest • Duro Dyne West • Duro Dyne Canada
 www.durodyne.com • E-mail: durodyne@durodyne.com



9/16/2022
 BO040018