

**MODEL FDD-MB-3V
DYNAMIC FIRE DAMPER
U.L. 555 Classified 1 1/2 and 3 Hours**

Standard Construction:

Frame: Roll-formed galvanized steel hat-section with staked corners and integral bracing

Blades: 16ga. Roll-formed galvanized steel.
Minimum width: 4.250" (108mm)
Maximum width: 7.250" (184mm)

Bearings: Bronze Oilite, press-fit into frame

Axles: Square, plated steel

Linkage: Concealed in frame. Linkage bars are .125" (3.2mm) thick plated steel

Heat Responsive Devices:

Fusible links - 165°F and 212°F

Snap discs - 212°F and 350°F

Finish: Mill galvanized

Spring: Stainless steel

Sizes:

Minimum Size: 6" w x 6" h

Maximum UL Listed Size:

Single Section: 36" w x 48" h 1 1/2 Hour / 3 Hour

Multiple Assembly:

1 1/2 Hour Vert : 108" W x 96" H

1 1/2 Hour Horz : 72" W x 96" H

Optional Construction:

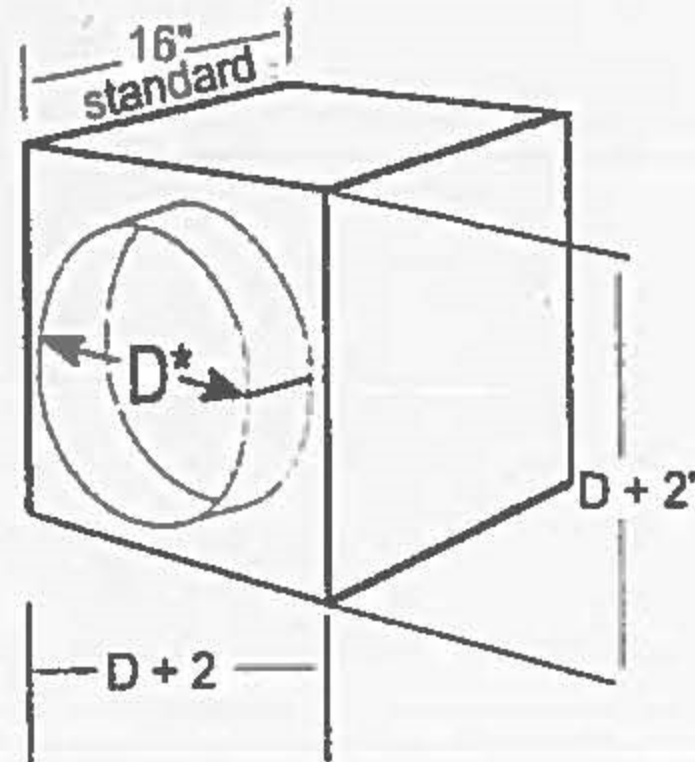
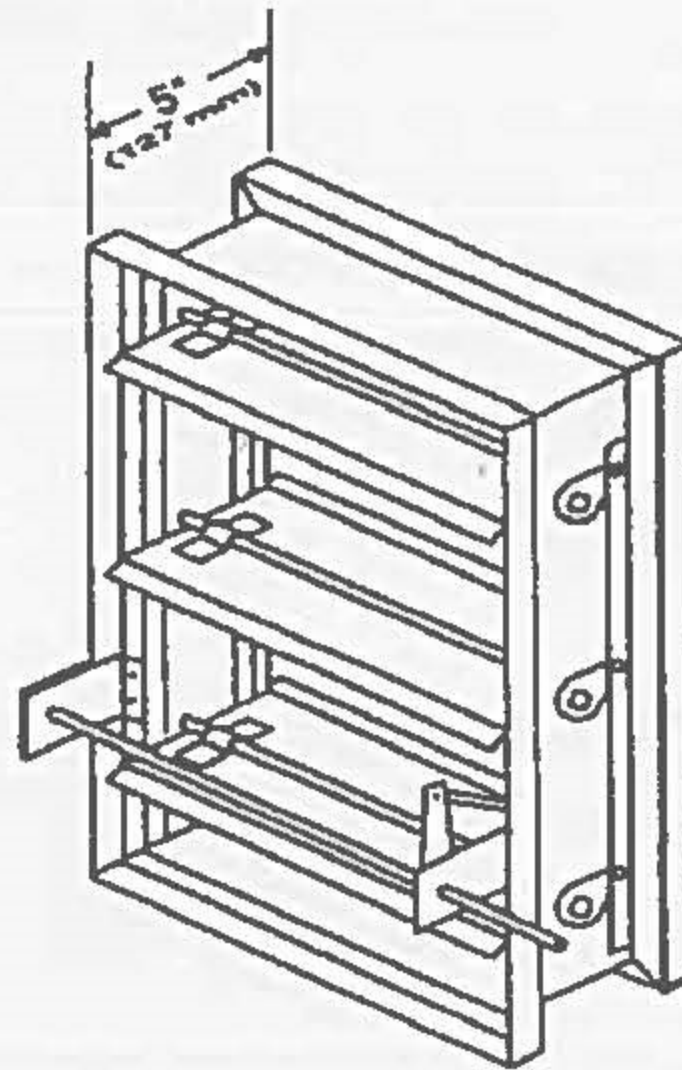
Factory Supplied Sleeve 18-16-14-10 Gauge
Sleeve Length (Required) 16" Minimum

3 Hour Rating

Manual Locking Quadrant

Round Transitions (FDD-MB-3V-RD)*1

Fusible Link 212° F



*D = Duct Size Minus 1/4"
*1 = 16" - 20 ga. Sleeve required for FDD-MB-3V-RD

Notes:- Dampers are furnished approximately 1/4" (6.4 mm) smaller than given dimensions
-Not recommended with blades running vertically

LISTED AND LABELED BY:



Features

- The FDD-MB-3V series Fire Dampers have been designed and tested to exceed all U.L., U.L.C. and N.F.P.A. requirements for fire dampers.
- The FDD-MB-3v damper's rigid frame and integrally braced corners provide true damper alignment that generally resists being installed out of square or out of flat. This insures onsite performance equal to test results

ACCEPTED FOR USE CITY OF NEW YORK DEPARTMENT OF BUILDINGS
MEA#:302-00-M

APPROVED BY THE BOARD OF STANDARD AND APPEALS FOR USE IN NEW YORK CITY.
CAL. 291-80-SA

Note: When damper is to be used as a fire damper, that is without a motor operator, then the actuator shaft must be fitted with a locking device (e.g. a locking quadrant) to prevent the damper from inadvertently closing.

Suggested Specification

Dynamic Fire Damper shall be Model FDD-MB-3V against airflow and shall bear the Underwriters Laboratories Label.

Fire Dampers shall be spring loaded for positive closure